

OxBox ONE™

▶▶ Washing Machine Box



Compact

Smallest Laundry Outlet Box on the market.

Complete

Supply & Drain in one box. All common inlet connections.

OxBox System

One box, one frame. Same frame fits all OxBox™ Laundry, Icemaker, Lavatory, and Toilet/Dishwasher.



Supply

Drainage

Support

www.siouxchief.com

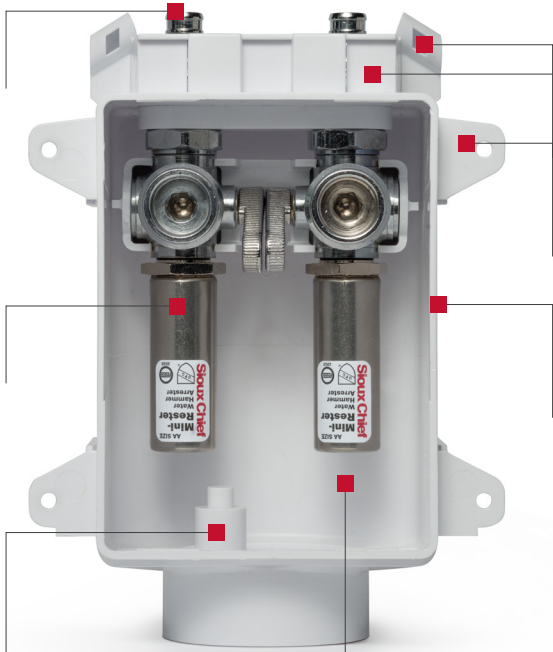
TAKE THE FIELD.



Inlets
All common inlet connections available

MiniRester™
Water hammer arrester options available

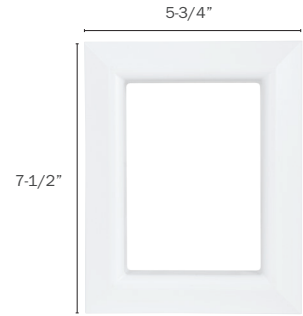
Drain Knockout
Patented knockout with test nipple can be used to test DWV. Removes in 1-piece. Will not fall down drain



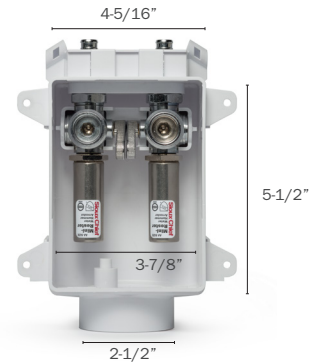
Tabs, Track & Nailway
Multiple bracketing options included

Box Clip Options
Can be connected to other OxBox product for DUAL-DRAIN applications

Strong
Compact size and rigid ABS material



One OxBox frame for all Ox system applications



2" DWV Connection



696-2413XF



696-2403CF



696-2403WF



696-2413MF

Buying Information

ITEM NO.	Description	U/M	PKG.	MIN. QTY.	CASE QTY.
STANDARD PACK - LAUNDRY BOX					
696-2403MF	1/2" FSWT	EA	B*	10	10
696-2403CF	1/2" CPVC Male	EA	B*	10	10
696-2403XF	1/2" ASTM PEX F1807 Crimp	EA	B*	10	10
696-2403WF	1/2" ASTM PEX F1960 Flex	EA	B*	10	10
ARRESTER PACK - LAUNDRY BOX W/ TWO MINIRESTER WATER HAMMER ARRESTERS					
696-2413MF	1/2" FSWT W/ Arresters	EA	B*	10	10
696-2413CF	1/2" CPVC Male W/ Arresters	EA	B*	10	10
696-2413XF	1/2" ASTM PEX F1807 Crimp W/ Arresters	EA	B*	10	10
696-2413WF	1/2" ASTM PEX F1960 Flex W/ Arresters	EA	B*	10	10

PACKAGING:
B = Bulk
* Individually Bar-Coded



24110 South Peculiar Drive
Peculiar, Missouri 64078
P 1.800.821.3944
F 1.800.758.5950
DISTRIBUTED BY

